

10.7 Enable NTP Server

The system runs correctly whether or not you perform the steps in this section; however, these instructions ensure that all computers in the system are synchronized to the same time reference.

The Product system uses the XXX as the time source as shown in "NTP Time Flow" on page 182.

When the Product system is installed on a dual-box system (one Windows client and one Linux server), the following steps must be taken:

- ◆ The NTP server software is already installed on the provided server computer; however, the server computer must be configured to use the NTP server software.
- ◆ The client computer must be configured to look for the time synchronization from the NTP server installed on the server computer.

For version v2.7.5 prior to C:xx, S:xx, follow the instructions in this section.

For version 2.7.5 (C:xx, S:xx) and later:

- ◆ The NTP service is already configured correctly during the Linux server installation process.
- ◆ Follow the instructions in this document to configure the Windows client computer.



NOTE

A dual-box system where both the client computer and the server computer are Windows computers is not supported.

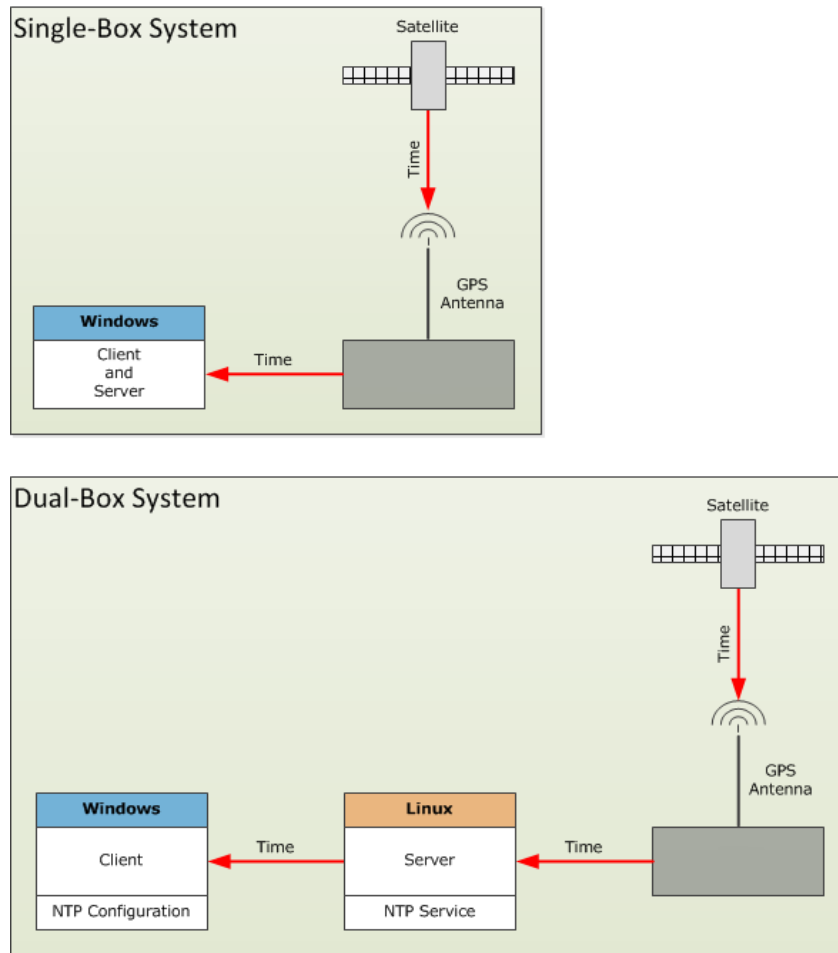


Figure 10–58 NTP Time Flow

10.7.1 Dual-Box System

When the Product system is installed on a dual-box system (one Windows client and one Linux server), the following steps must be taken:

- 1 The server computer must be configured to use the NTP server software (see "*Linux Server Configuration*" on page 183). The NTP server software is already installed on the provided server computer.
- 2 The client computer must be configured to look for the time synchronization from the NTP server installed on the server computer (see "*Windows Client Configuration*" on page 188).